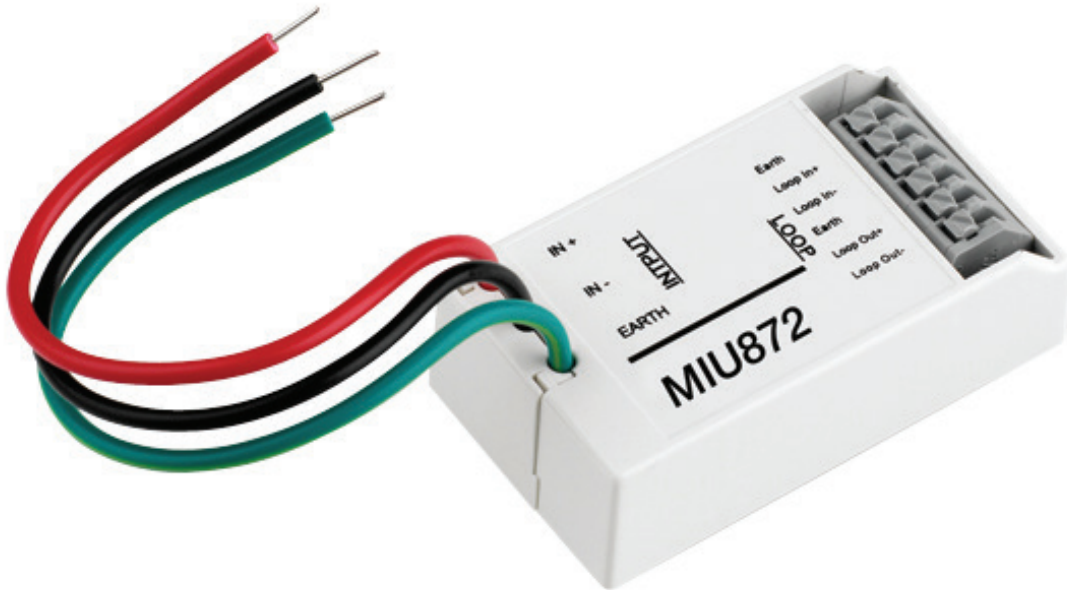


MIU872

Micro Zone Monitor Units



An extensive range of micro interfaces are available to support the Cooper range of control panels, providing solutions for most design requirements.

The MIU872 is a single zone input, soft addressed, micro interface, incorporating integral short circuit isolators.

It is fully compatible with the current range of Cooper intelligent addressable control panels.

It is suitable for interfacing a zone of up to 20 conventional Cooper detectors onto a Cooper intelligent addressable control panel.

It will operate with any Cooper conventional detector in configuration with a schottky diode type base (CDBB300).

Features

- Soft addressed
- Integral short circuit isolator
- Single address
- Accepts a zone of up to 20 Cooper conventional detectors
- Input monitored for open, short circuit and earth contact faults
- Active end of line monitoring

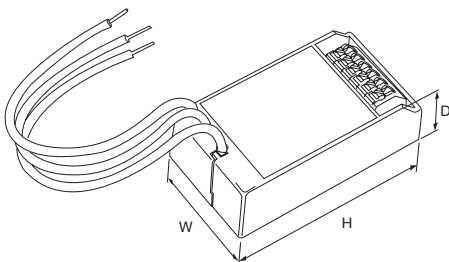
Benefits

- Quick and simple to install
- No hard addressing required (Plug and play)
- Compact size
- Easy to expand a system using existing wiring
- No external power supply required

Technical Specification

Code	MIU872
Description	Micro Zone Monitor Unit
Standards	EN54 Pt17 & Pt18
Specification	
Operating Voltage	18.5V dc to 30V dc
Quiescent Current	2.6mA (nom)
Load With 20 Detectors, and Unlimited Callpoints	3.2mA (nom)
Alarm Load With 20 Detectors, and Unlimited Callpoints	8.0mA (nom)
Detector Zone	
Detectors per Zone	20 (max)
End of Line Monitor	Active end of line unit - EOLM-1
Fire Input Trigger Resistance	680Ω (nom)
Short Circuit Fault Threshold Resistance	100Ω (max)
Open Circuit Fault Threshold Resistance	39KΩ (min)
Environmental	
Operating Temperature	-10°C to +60°C
Humidity (non condensing)	0 to 95% RH
Physical	
Construction	PC/ABS
Dimensions (H x W x D)	63mm x 35mm x 18.5mm
Weight	0.28kg
Ingress Protection	IP40
Compatibility	
Suitable for use with	Cooper Intelligent Addressable Fire Systems
Recommended loop/cable	Fire Tuff, FP200, MICC

Dimensions



H (mm)	W (mm)	D (mm)
63	35	18.5

Catalogue numbers

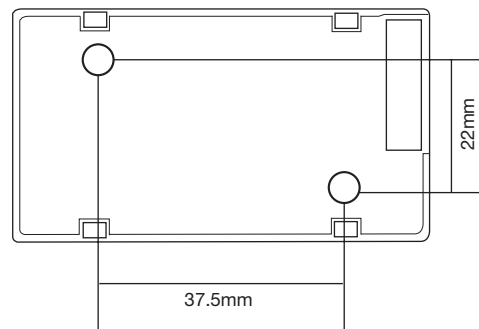
Description	Code
Micro Zone Monitor Unit	MIU872

Installation

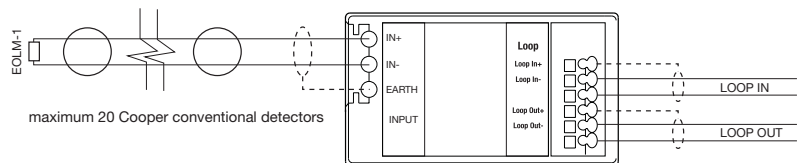
1. Suitable for use with any Cooper conventional detector.
2. Connections suitable for single strand fireproof cable up to 2.5mm².
3. Loop and input cable screen must be connected to interface earth terminals.

Note: No addressing of the interface is required (see control panel operation for details)

Mounting Details



Standard Connections



Eaton
Electrical Sector EMEA
Route de la Longeraie 7
1110 Morges, Switzerland

Eaton
Fire Systems Business
Cooper Lighting and Safety Ltd
Wheatley Hall Road
Doncaster
South Yorkshire
DN2 4NB
United Kingdom
Tel: +44 (0)1302 303 999
Fax: +44 (0)1302 303 333
Email: sales@cooperfire.com
Web: www.cooperfire.com

© 2014 Eaton
All Rights Reserved
Pub Reference: F-DS025
September 2014

Changes to the products, to the information contained in this document, and to prices are reserved; so are errors and omissions. Only order confirmations and technical documentation by Eaton is binding. Photos and pictures also do not warrant a specific layout or functionality. Their use in whatever form is subject to prior approval by Eaton. The same applies to Trademarks. The Terms and Conditions of Eaton apply, as referenced on Eaton Internet pages and Eaton order confirmations.

Eaton is a registered trademark. All other trademarks are property of their respective owners.